



PW120 Purse Seine Winch

Since 1988 Petec Services (Pty) Ltd has been offering extensively ranging engineering services and solutions to the marine industry.

Strongly driven by our strive for excellence, we gained valuable knowledge and expertise in winches, fishing equipment and marine hydraulic systems with emphasis on product design, manufacture and repair. This accompanied by our target driven operation allowed Petec Services (Pty) Ltd to build up invaluable relationships with our customers over the years.

It is our team's aim to provide professional engineering services and solutions to ensure our customers' fullest satisfaction.

- ✉ info@petec.co.za
- 🌐 www.petec.co.za
- ☎ **+27 (0)21-5110753**
- 📍 13 Carlisle Street
Paarden Eiland
Cape Town
South Africa
7405

... follow us

The PW120 is specifically designed to fit on bigger vessels, requiring peak performance and full functionality.

Each drum is separately engageable and equipped with a hand wheel operated band brake allowing the operator to choose between free-wheeling or controllably paying-out the cable.

A prolonged cable life-time is achieved by an automated guiding gear, distributing the incoming cable evenly over the drum's length and thereby limits the cable from stacking or crossing-over.

Besides this, warping heads on either side of the winch can be operated independently from the drums and thus makes the PW-Series versatile.

A quality gearbox furthermore guarantees a long life-time and as a result down time is reduced to a minimum.

SPECIFICATION

PW120 - 3Drum

Max Pull 25tons @ Ø220 (160bar)

Max Pull 8tons @ Ø800 (160bar)

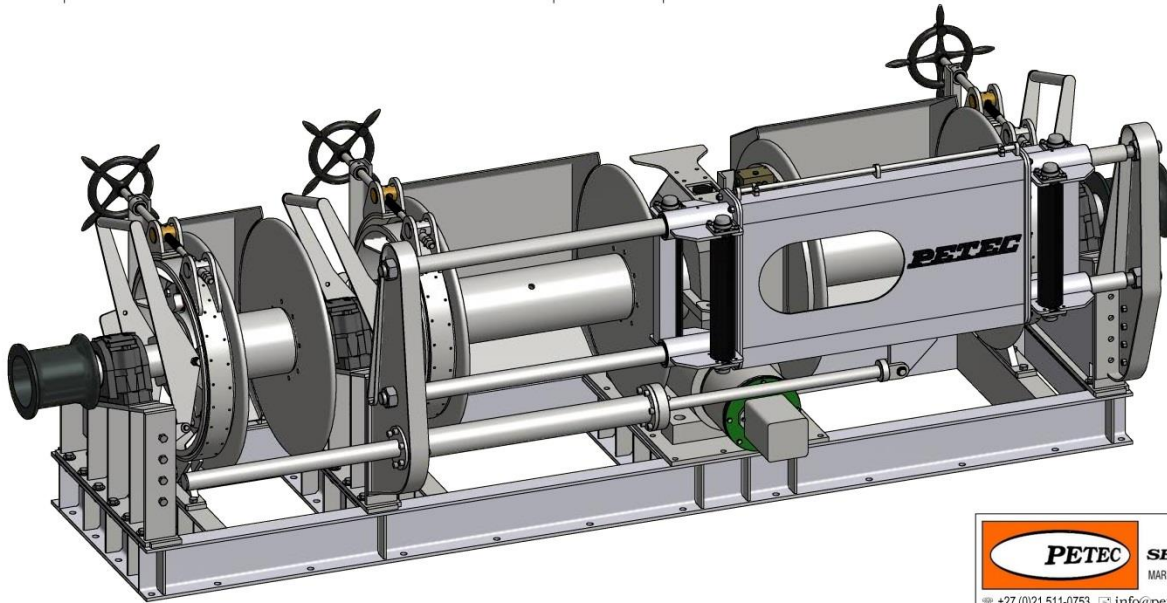
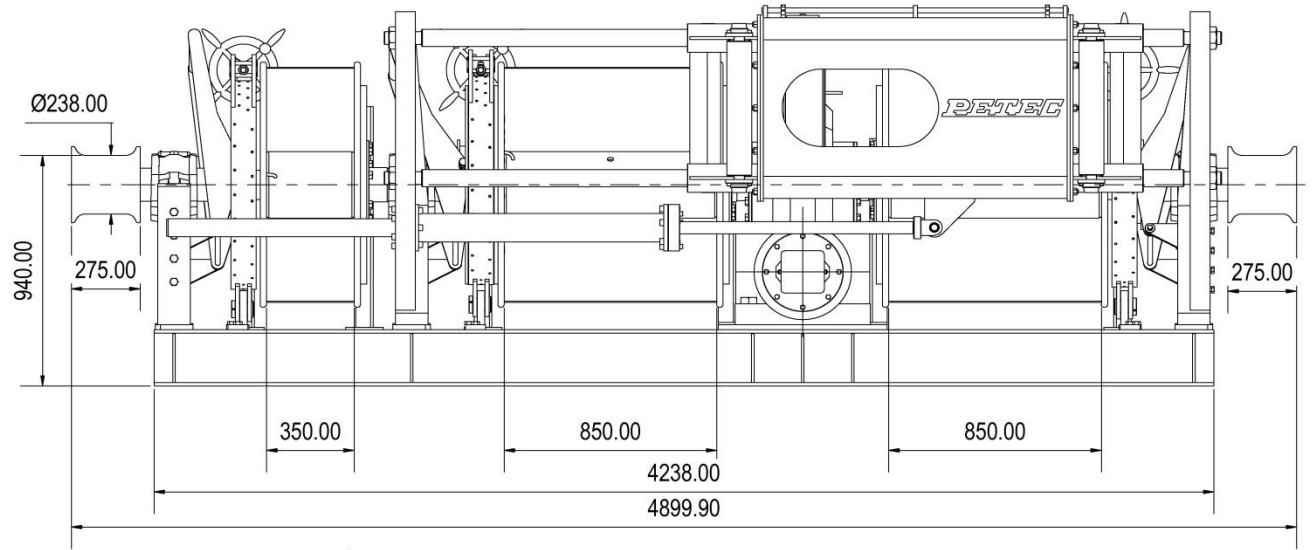
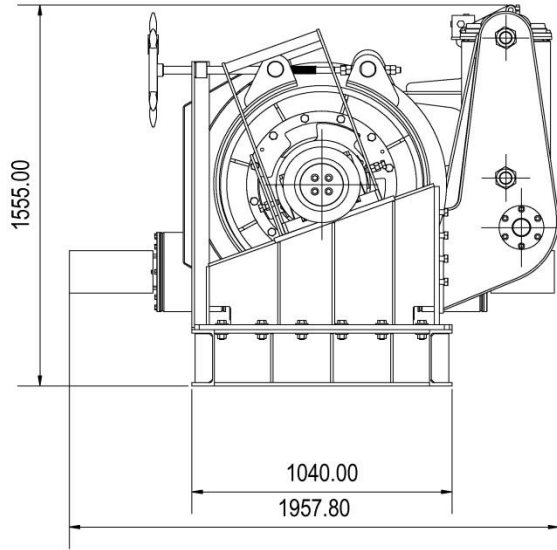
Line Speed 25 - 75m/min

Capacity (main drum)
1000m (22mm rope)

Oil Flow 350 - 400L/min

Mass ±8tons





SPECIFICATIONS

MAX PULL	25tons @ Ø220 (160bar)
MAX PULL	8tons @ Ø800 (160bar)
LINE SPEED	25 - 75m/min @ Ø220
CAPACITY (MAIN DRUM)	1000m (22mm ROPE)
OIL FLOW	350 - 400L/min
MASS	±8tons



Purse Seine Winch PW120 - 3 Drum