



GB-Series Hydraulic Inline P.T.O

Since 1988 Petec Services (Pty) Ltd has been offering extensively ranging engineering services and solutions to the marine industry.

Strongly driven by our strive for excellence, we gained valuable knowledge and expertise in winches, fishing equipment and marine hydraulic systems with emphasis on product design, manufacture and repair. This accompanied by our target driven operation allowed Petec Services (Pty) Ltd to build up invaluable relationships with our customers over the years.

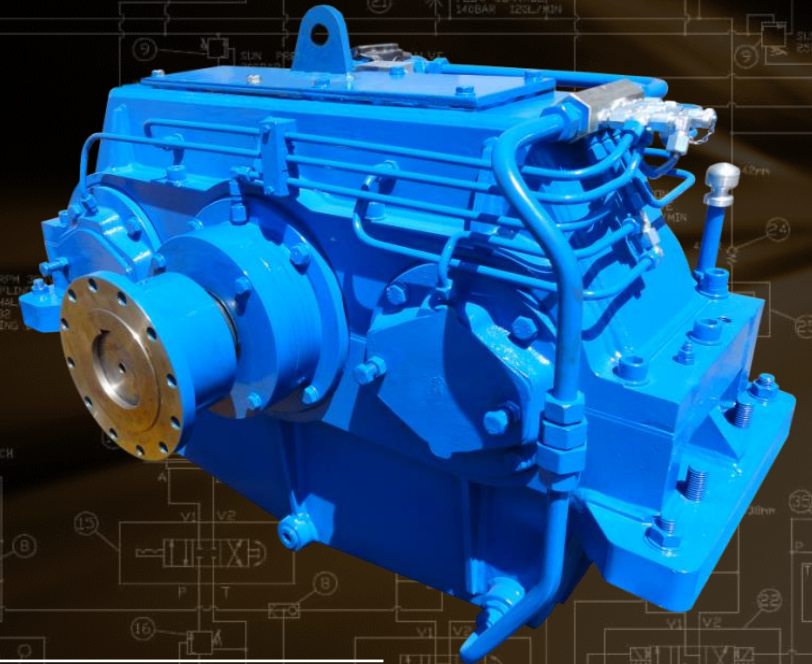
It is our team's aim to provide professional engineering services and solutions to ensure our customers' fullest satisfaction.

The GB-Series Power Take Offs have specifically been designed for vessels requiring a compact but high performance gearbox.

High quality bearings, a superior clutch, as well as precision gear sets, ensure trouble free operation and a long life-time.

Real-time feedback by means of gauges, switches and electronic indicators, allows the operator to accurately monitor the operation, performance and condition of the gearbox.

The GB-Series is available with both 4 and 6 pump outputs while still occupying the same base area.



SPECIFICATION

GB550-4

Power 550kW
Input Speed Range 0 - 1500rpm
Max Pump Outputs 4
Input Shaft Size Ø100
Pump Mounting Flange 2-Bolt SAE – C
Mass ±1.7tons

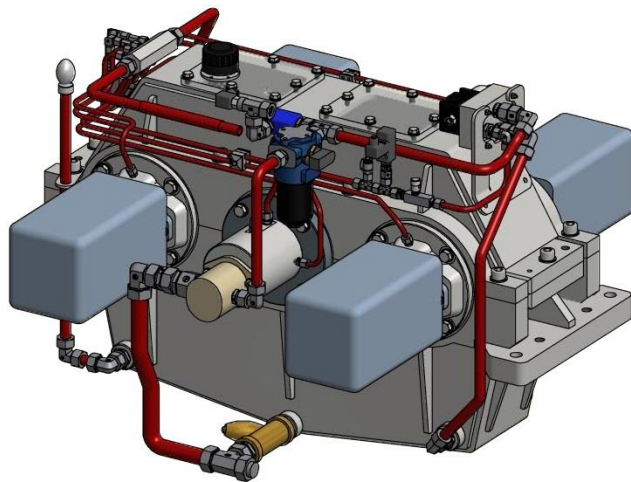
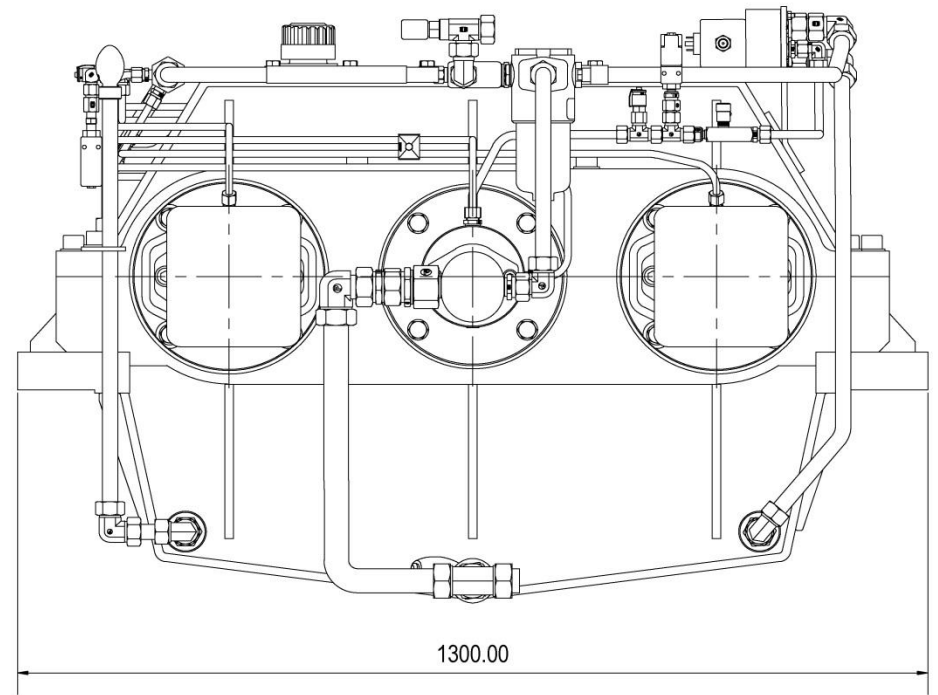
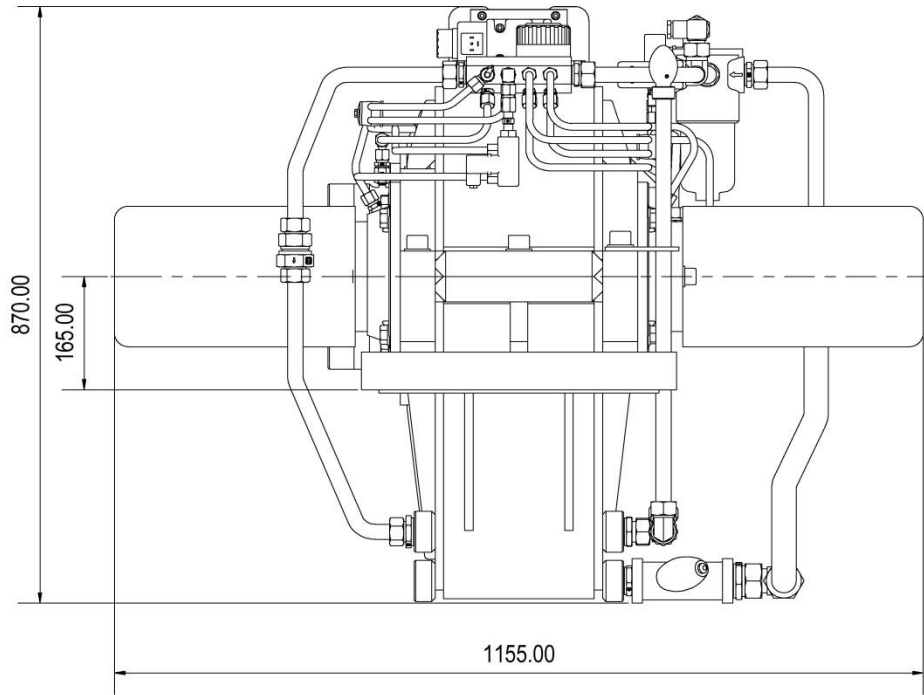
GB550-6

Power 550kW
Input Speed Range 0 - 1500rpm
Max Pump Outputs 6
Input Shaft Size Ø100
Pump Mounting Flange 2-Bolt SAE – C
Mass ±2tons

- ✉ info@petec.co.za
- 🌐 www.petec.co.za
- ☎ **+27 (0)21-5110753**
- 📍 13 Carlisle Street
Paarden Eiland
Cape Town
South Africa
7405

... follow us





SPECIFICATIONS	
POWER	550kW
INPUT SPEED RANGE	0 - 1500rpm
MAX PUMP OUTPUTS	4
INPUT SHAFT SIZE	Ø100
PUMP MOUNTING FLANGE	2 - BOLT SAE - C

Title

Hydraulic Inline Power Take Off - GB550 - 4



+27 (0)21 511-0753 info@petec.co.za www.petec.co.za

This drawing, and the information contained therein, is confidential and remains the property of PETEC SERVICES (PTY) LTD 79100781/07. It may not be used, reproduced or passed on to any person or firm without prior written consent. ALL RIGHTS RESERVED