

Since 1988 Petec Services (Pty) Ltd has been offering extensively ranging engineering services and solutions to the marine industry.

Strongly driven by our strive for excellence, we gained valuable knowledge and expertise in winches, fishing equipment and marine hydraulic systems with emphasis on product design, manufacture and repair. This accompanied by our target driven operation allowed Petec Services (Pty) Ltd to build up invaluable relationships with our customers over the years.

It is our team's aim to provide professional engineering services and solutions to ensure our customers' fullest satisfaction.

✉ info@petec.co.za

🌐 www.petec.co.za

☎ [+27 \(0\)21-5110753](tel:+270215110753)

📍 13 Carlisle Street
Paarden Eiland
Cape Town
South Africa
7405

📘 ... follow us

The hydraulically driven Bow Thruster BT-110 is specifically designed for vessels requiring reliable and smooth bi-directional side thrust.

A wear strip around the propeller area not only limits the effect of cavitation, but also reduced the clearance between the tunnel and blades to a minimum, thereby improving efficiency and performance.

In conjunction with this, the use of superior materials as well as quality components minimise the requirement for maintenance and ensure an extended life-time.

Exclusive to this unit is easy front and back access to the drive unit, allowing quick repairs and reduces down time.

Variable speed control, as well as a quickly reversible rotation, allows the operator to accurately manoeuvre the vessel into the desired position.

SPECIFICATION

BT-110

Power 110hp

Propeller 4 Blade Ø23"

Tunnel Ø24"

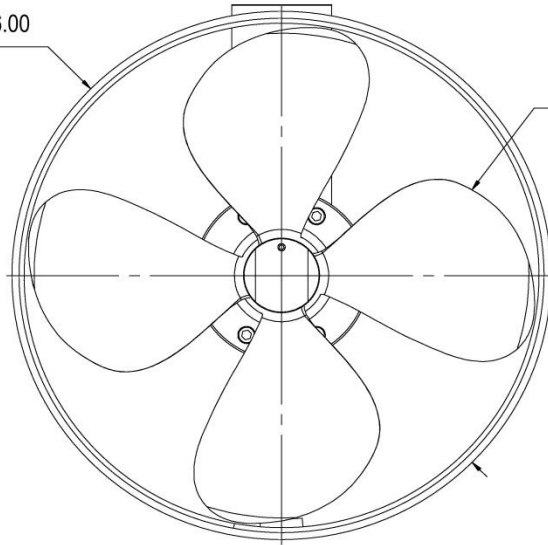
Tunnel Length 915mm

Bow Mounting Configuration

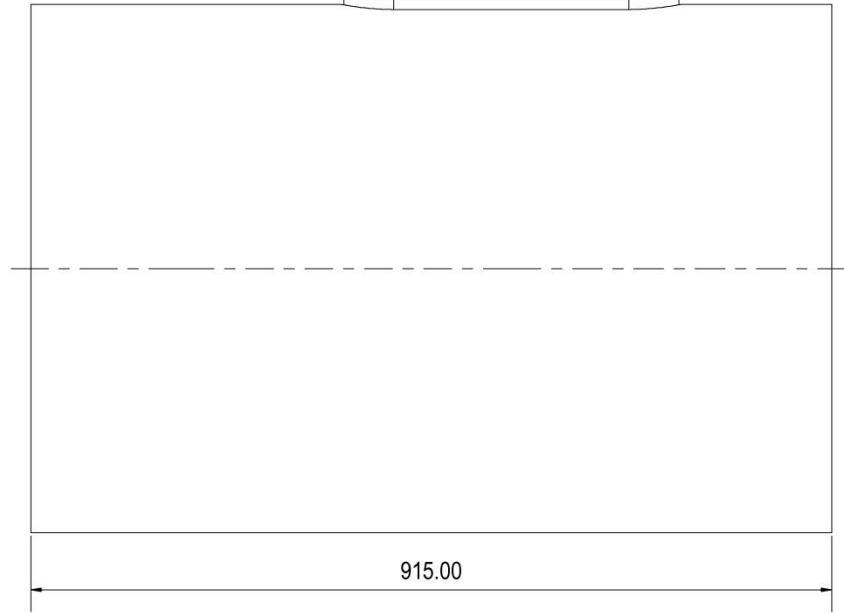
Mass ±300kg



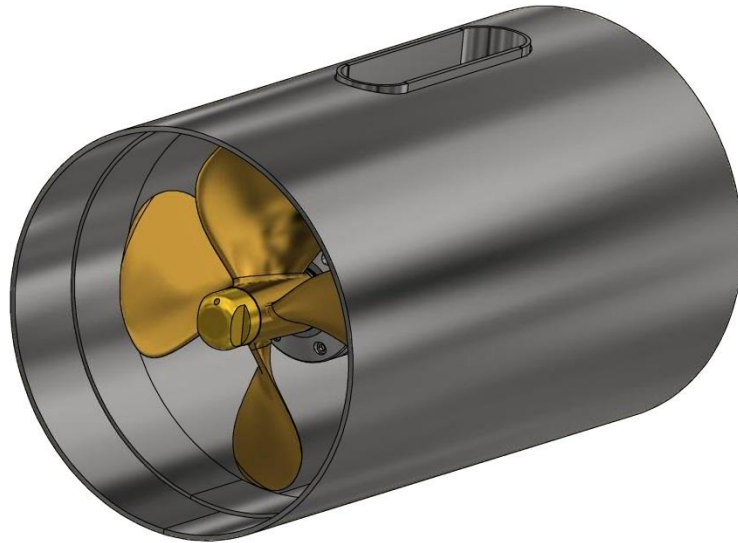
Ø616.00



Ø23" Propeller



915.00



SPECIFICATIONS	
POWER	110hp
PROPELLER TYPE	FOUR BLADE Ø23 inch
TUNNEL Ø	24 inch
MOUNTING CONFIGURATION	BOW
MASS	±300kg

Title

Bow Thruster BT-110



SERVICES (PTY) LTD
MARINE HYDRAULIC AND MECHANICAL ENGINEERS

+27 (0)21 511-0753 info@petec.co.za www.petec.co.za

This drawing, and the information contained therein, is confidential and remains the property of PETEC SERVICES (PTY) LTD 7900781/07. It may not be used, reproduced or passed on to any person or firm without prior written consent. ALL RIGHTS RESERVED