



NS-Series Net Stacker

Since 1988 Petec Services (Pty) Ltd has been offering extensively ranging engineering services and solutions to the marine industry.

Strongly driven by our strive for excellence, we gained valuable knowledge and expertise in winches, fishing equipment and marine hydraulic systems with emphasis on product design, manufacture and repair. This accompanied by our target driven operation allowed Petec Services (Pty) Ltd to build up invaluable relationships with our customers over the years.

It is our team's aim to provide professional engineering services and solutions to ensure our customers' fullest satisfaction.

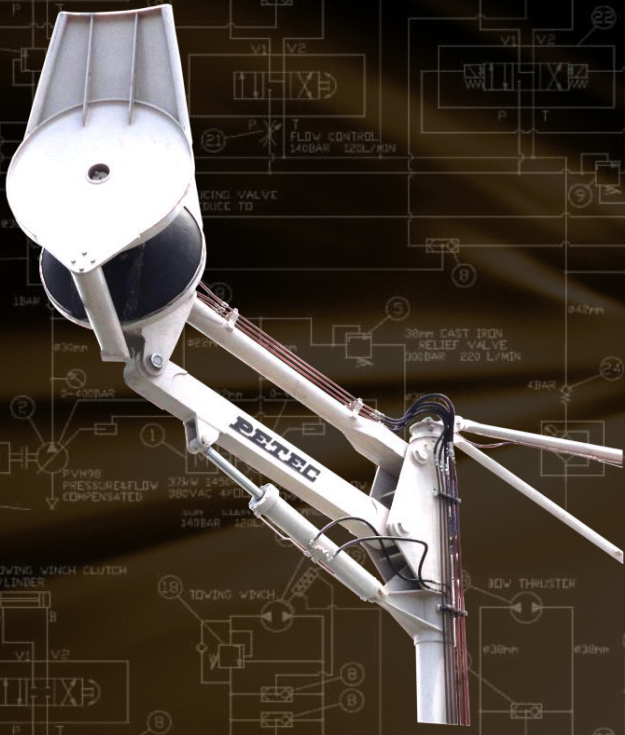
All NS-Series Net Stackers are specifically designed to maximise the coverage over the net-bin, thus ensuring compact as well as efficient stacking.

A large slew angle at the base pivot point, high lifting arms, as well as the slewing action of the head make our Net Stackers highly flexible. Furthermore they ensure that the net follows the optimum path and allow for ease of stacking at all times.

We also specialise in all types of controls ranging from hydraulics over electric to remote.

All our NS-Series Net Stackers are fabricated from marinated carbon steel and therefore offer a high service life.

Common replacement parts, such as sheaves or ring gears, are always available at our factory to minimise your downtime.



SPECIFICATION

NS42-SF

Max Pull 3tons @ Ø500 (150bar)

Core Speed 0 – 40rpm

Net Speed 0 – 68m/min

Stacking Radius 2.1m - 3.6m

Slew Angle 110°

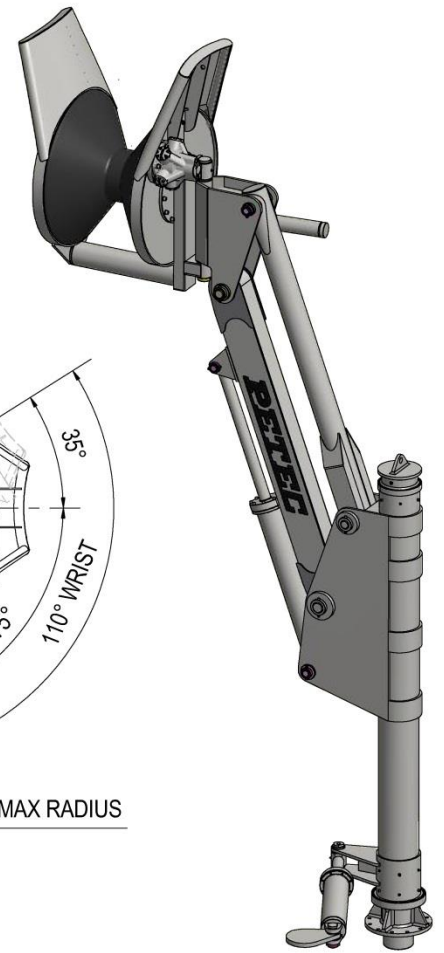
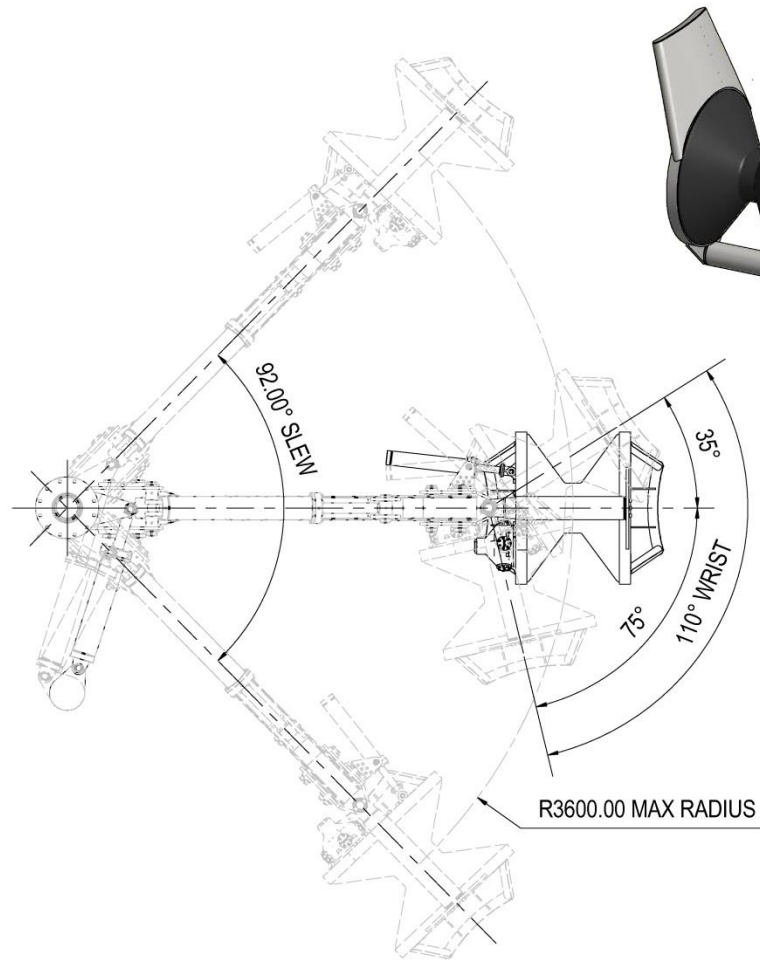
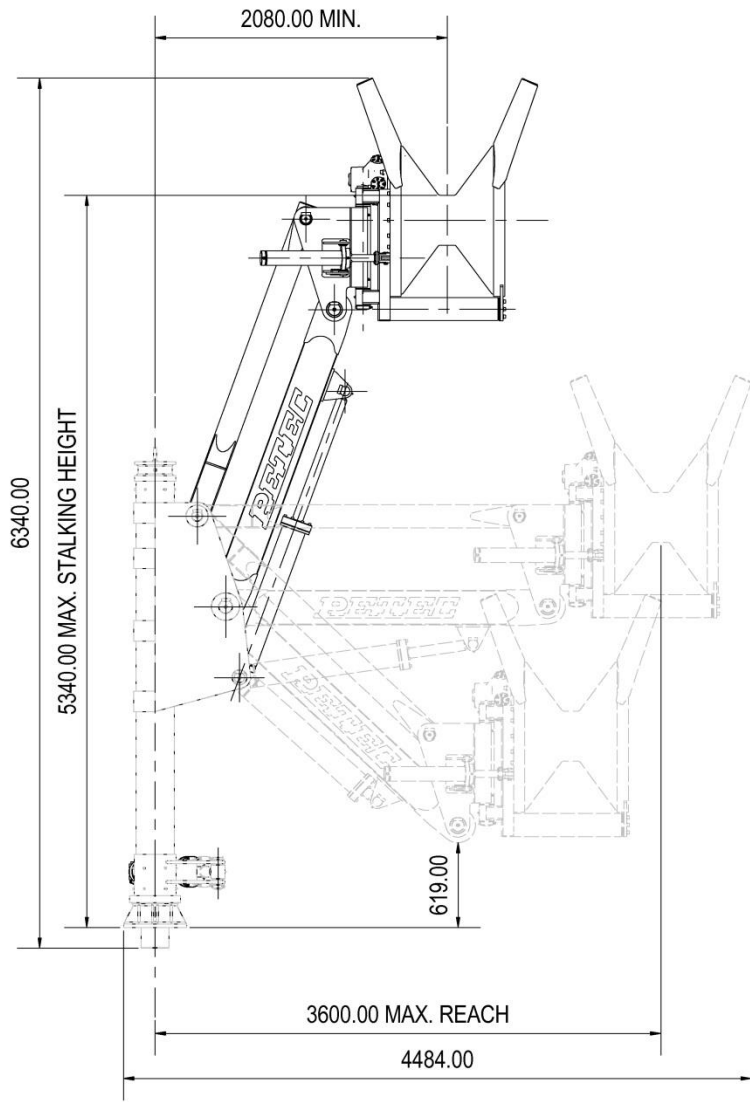
Sheave Head Wrist 110°

Mass ±3.5tons

- ✉ info@petec.co.za
- 🌐 www.petec.co.za
- ☎ [+27 \(0\)21-5110753](tel:+270215110753)
- 📍 13 Carlisle Street
Paarden Eiland
Cape Town
South Africa
7405

... follow us





| SPECIFICATIONS | |
|-----------------|-----------------------|
| MAX PULL | 3tons @ Ø500 (150bar) |
| CORE SPEED | 0 - 40rpm |
| NET SPEED | 0 - 68m/min |
| STACKING RADIUS | 2.1m - 3.6m |
| MASS | 3.5tons |

Title

Net Stacker NS42-SF


PETEC SERVICES (PTY) LTD
 MARINE HYDRAULIC AND MECHANICAL ENGINEERS
 ☎ +27 (0)21 511-0753 ✉ info@petec.co.za 🌐 www.petec.co.za

This drawing, and the information contained therein, is confidential and remains the property of PETEC SERVICES (PTY) LTD 79100781/07. It may not be used, reproduced or passed on to any person or firm without prior written consent. ALL RIGHTS RESERVED