

Since 1988 Petec Services (Pty) Ltd has been offering extensively ranging engineering services and solutions to the marine industry.

Strongly driven by our strive for excellence, we gained valuable knowledge and expertise in winches, fishing equipment and marine hydraulic systems with emphasis on product design, manufacture and repair. This accompanied by our target driven operation allowed Petec Services (Pty) Ltd to build up invaluable relationships with our customers over the years.

It is our team's aim to provide professional engineering services and solutions to ensure our customers' fullest satisfaction.

✉ info@petec.co.za
 🌐 www.petec.co.za
 ☎ **+27 (0)21-5110753**
 📍 13 Carlisle Street
 Paarden Eiland
 Cape Town
 South Africa
 7405

📺 ... follow us



All 3RNH-Series Net Haulers are specifically designed to haul and guide fishing nets effectively, therefore minimising the overall time spent on net stacking.

Three powered, synchronised rollers, as well as an offset of the centre roller, ensure that the net is effectively and evenly guided through the hauler, resulting in minimised strain, wear and slippage of the net.

The head tilt capability not only minimises the required hauler's deck area but more importantly enables operators to accurately align the hauler with the incoming net thus ensuring simple and efficient stacking. In addition, traction rollers can be replaced easier and downtime is reduced.

Special attention has been given to the material selection. Marine grade stainless steel has been utilised on both the inner and outer net guide plates, as well as on the roller slip rings, ensuring a long life of all net contact components.

SPECIFICATION

3RNH-530-SF2

Max Pull 6.0tons @ Ø315 (160bar)
 Max Pull 7.5tons @ Ø315 (200bar)
 Roller Speed 30 – 40rpm
 Head Tilt Angle 95°
 Oil Flow 180 – 200L/min
 Mass ±3tons

FEATURES

- Uniform pull due to three synchronised, powered rollers
- Offset centre roller enlarging net contact surface while reducing slippage
- Tilt function for optimal net alignment, reduced deck area and ease of roller replacements
- Marine grade stainless steel on all net contact surfaces

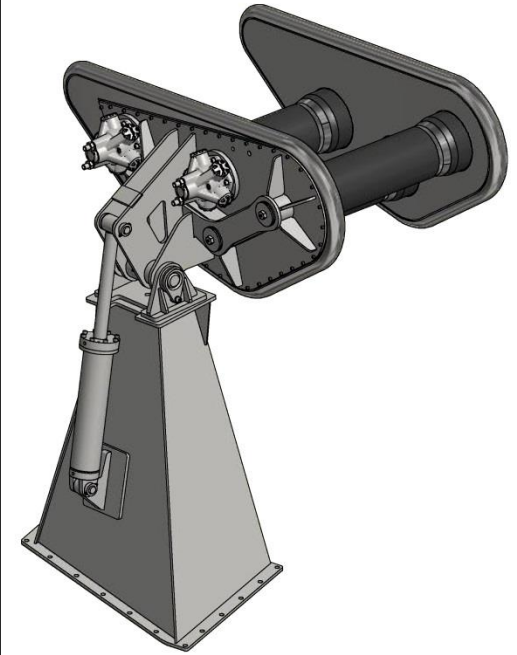
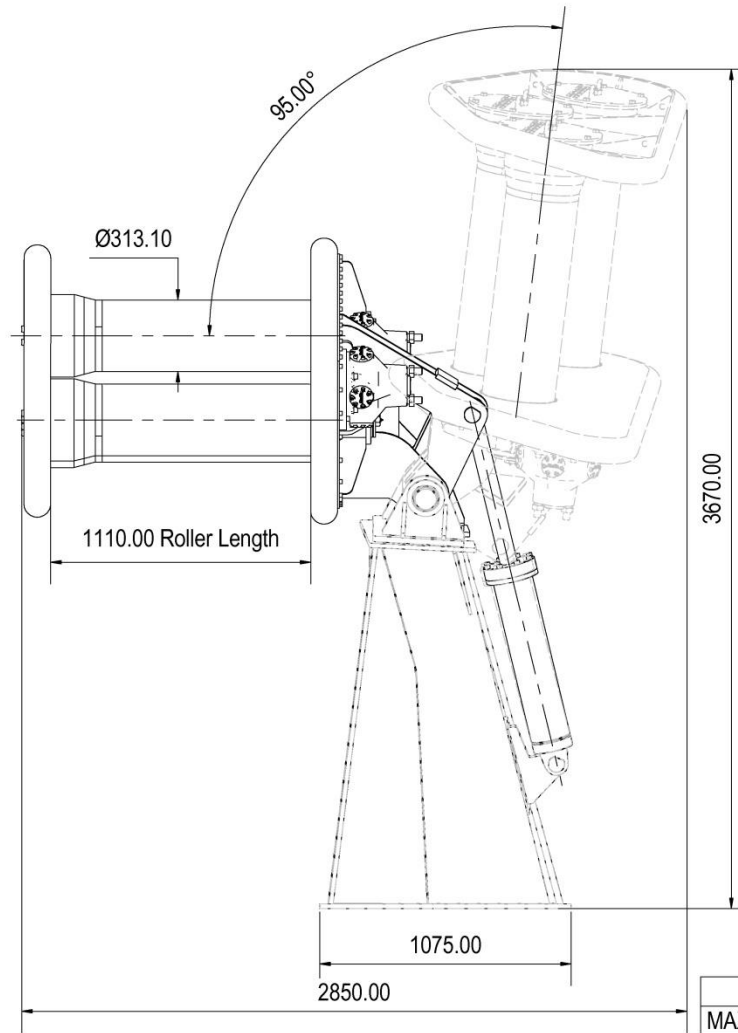
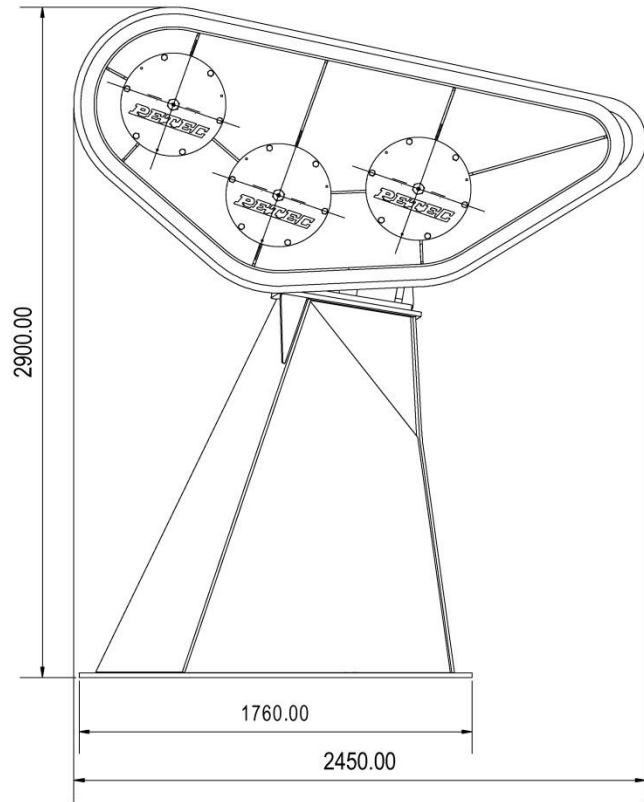
3RNH-Series Net Hauler



3RNH-600-SF2

Max Pull 9.0tons @ Ø315 (160bar)
 Max Pull 12.0tons @ Ø315 (200bar)
 Roller Speed 30 – 40rpm
 Head Tilt Angle 95°
 Oil Flow 200 – 250L/min
 Mass ±3.5tons





SPECIFICATIONS	
MAX PULL	9.0tons @ Ø315 (160bar)
MAX PULL	12.0tons @ Ø315 (200bar)
ROLLER SPEED	30 - 40rpm
OIL FLOW	200 - 250L/min
MASS	±3.5tons



Title

Net Hauler 3RNH-600-SF2